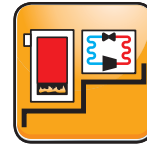


tekmar® Submittal

Boiler Control 265



Multi-Staging

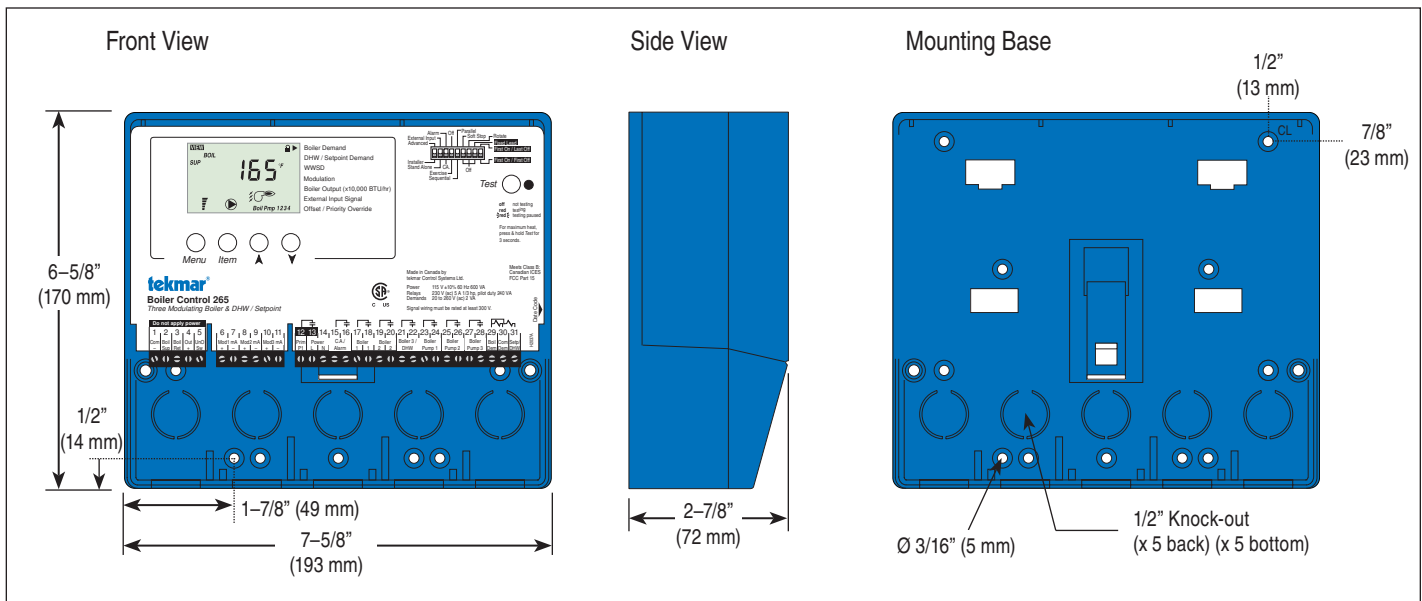
C 265

01/11

Replaces: New

Job _____ Designer _____ Contact _____

The Boiler Control 265 is designed to stage multiple modulating boilers using Outdoor Temperature Reset. It can be used in applications ranging from baseboard or radiant heating systems, to dedicated domestic hot water heating in commercial buildings. This control regulates a single heating water temperature through Outdoor Temperature Reset and/or setpoint/DHW control. It is capable of controlling (stage and rotate) up to 3 modulating boilers by using a native 4-20 mA (or 0-20 mA) signal that can be converted to 2-10 V (dc) (or 0-10 V (dc)), as well as the system pump.



Specifications

Boiler Control 265 Three Modulating Boiler & DHW / Setpoint	
Literature	D265, A265, D001, D070
Control	Microprocessor control. This is not a safety (limit) control
Packaged weight	3.3 lb. (1500 g)
Dimensions	6-5/8" H x 7-9/16" W x 2-13/16" D (170 x 193 x 72 mm)
Enclosure	Blue PVC plastic, NEMA type 1
Approvals	CSA C US, meets Class B: ICES & FCC Part 15
Ambient conditions	Indoor use only, 32 to 122°F (0 to 50°C), RH ≤90% Non-condensing, Altitude <6560 ft. (2000 m), Installation Category II, Pollution Degree 2
Power supply	115 V (ac) ±10%, 60 Hz, 600 VA
Relays	230 V (ac) 5 A, 1/3 hp, pilot duty 240 VA
Modulation output	0-20 mA / 4-20 mA (up to 1000 Ω load)
Demands	20 to 260 V (ac) 2 VA
Sensors	NTC thermistor, 10 kΩ @ 77°F (25°C ±0.2°C) β=3892
-Included	Outdoor Sensor 070, 2 of Universal Sensor 071, and 4 of 500 Ω Resistor
-Optional	tekmar type #: 033
Warranty	Limited 3 Year (See D265 for full warranty)

Energy Saving Features

- Outdoor Temperature Reset
- Setback input for energy savings
- Warm Weather Shut Down
- Automatic Boiler Differential

Additional Features

- Control up to 3 modulating boilers
- Equipment Exercising
- DHW pump or valve operation
- Optional DHW priority
- Equal Run Time Rotation
- Quick setup for easy installation and programming of control
- User comfort adjustment to increase or decrease building space temperature
- Advanced settings to fine-tune building requirements
- Powered system pump output
- Test sequence to ensure proper component operation
- 115 V (ac) power supply
- Boiler pump operation

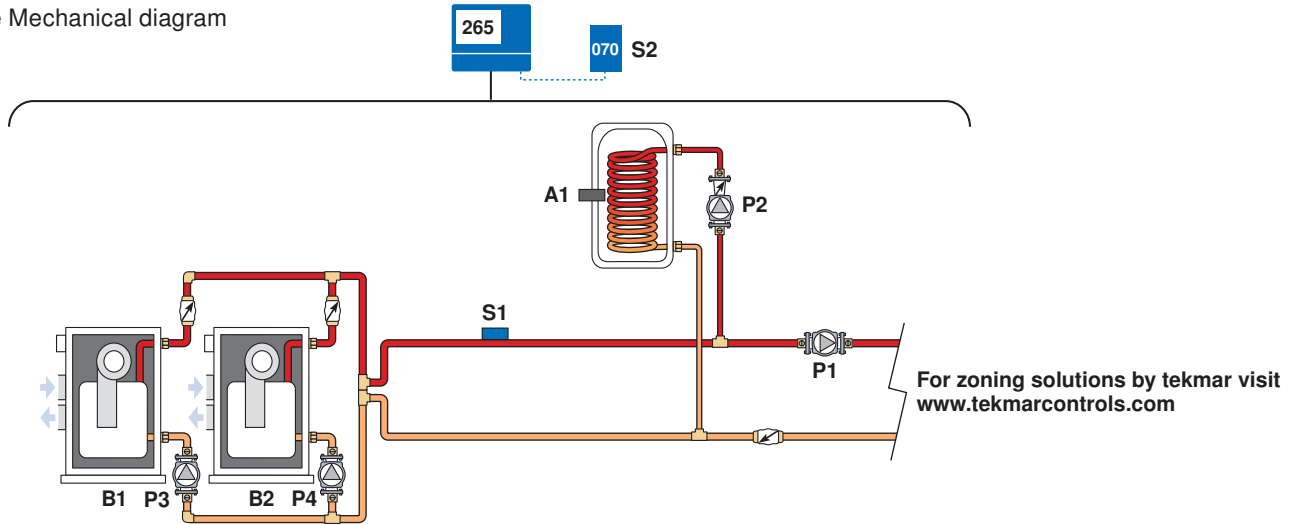
SPECIAL REQUIREMENTS

N / A

Sample Application Drawing

Below is a sample application drawing for this product. This application may include other tekmar products that are required for installation. More sample applications can be found at www.tekmarcontrols.com.

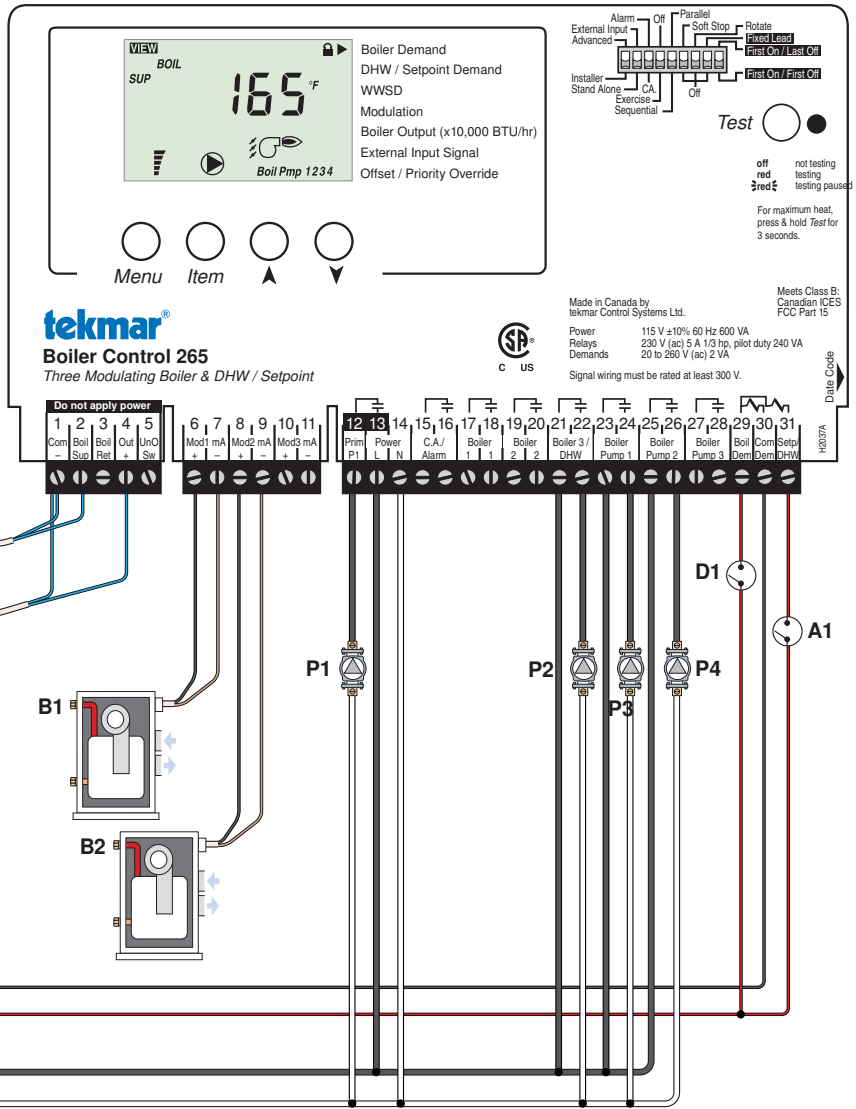
Sample Mechanical diagram



Sample Electrical diagram

Legend:

- A1 = DHW Aquastat
- B1 = Boiler 1
- B2 = Boiler 2
- D1 = Boiler demand (From thermostat or end switch)
- P1 = System Pump
- P2 = DHW Pump
- P3 = Boiler 1 Pump
- P4 = Boiler 2 Pump
- S1 = Boiler Supply Sensor
- S2 = Outdoor Sensor



tekmar Control Systems Ltd., Canada, tekmar Control Systems, Inc., U.S.A. Head Office: 5100 Silver Star Road, Vernon, B.C. Canada V1B 3K4, 250-545-7749, Fax. 250-545-0650 Web Site: www.tekmarcontrols.com

